



ELECTRIC COUNTER TILTING KETTLE



Model	Capacities		
	kW	US Gal.	Liters
EC-6TW	7.5	6	23
EC-10TW	12	10	38
EC-12TW	12	12	45

SPECIFICATIONS:

Shall be a CROWN Model _____, self-generating, electric, tilting kettle. A double wall kettle interior shall form a steam jacket around the lower 2/3 of the kettle. The jacket enclosure shall contain distilled water which is factory sealed. The bottom of the kettle shall be of hemispherical design for superior heat circulation.

The mounting base shall include the kettle mounting lugs concealed inside a rectangular enclosure and a stainless steel mechanism housing.

A removable operating handle with heat proof knob shall be mounted on the right.

Construction shall be of all welded satin finish stainless steel, type 304. The interior cooking surface shall be of type 316 stainless steel for added resistance to corrosion. The kettle shall be ASME constructed and National Board Registered.

The controls shall be integrally mounted and shall include a power switch, solid state thermostat, pilot light, vacuum/pressure gauge, safety valve, low water light, and low water shut off.

The kettle shall operate in a temperature range of 100°F to 290°F (40°C to 140°C) at a maximum pressure of 50 psi (345 kPa). The kettle shall be standard with removable elements.

OPERATION SHALL BE BY:

Electrically, self-generating closed steam system equipped for operation on:

The kettle shall be equipped for operation on:

- 208 VAC, 1 phase, 60 Hz
- 208 VAC, 3 phase, 60 Hz
- 240 VAC, 1 phase, 60 Hz
- 240 VAC, 3 phase, 60 Hz

STANDARD FEATURES:

- Low water level cut-off and indicator
- Pressure gauge
- Temperature control
- Safety relief valve
- Type 316 stainless steel liner
- 2/3 steam jacket
- 50 PSI (345 kPa) high pressure operation for higher cooking temperature
- Integrally mounted controls
- Removable elements
- "Clean lock" to hold kettle in cooking position or 105° for ease of cleaning
- Stainless steel console and trunnion
- Water resistant construction

OPTIONS AT EXTRA COST:


- 220 VAC, 1 phase, 50/60 Hz
- 220 VAC, 3 phase, 50/60 Hz
- 380 VAC, 3 phase, 50/60 Hz
- 415 VAC, 3 phase, 50/60 Hz
- 480 VAC, 3 phase, 50/60 Hz
- 415/240 VAC, 3 phase, 4 wire, 50/60 Hz
- 380/220 VAC, 3 phase, 4 wire, 50/60 Hz
- Etched gallon markings
- Etched liter markings

ACCESSORIES:

- One piece lift-off stainless steel cover
- Stainless steel wire basket
- 18" high floor stand c/w sliding drain pan and stationary drain
- Graduated measuring strip
- Single pantry faucet with swing spout
- Double pantry faucet with swing spout



SERVICE CONNECTIONS

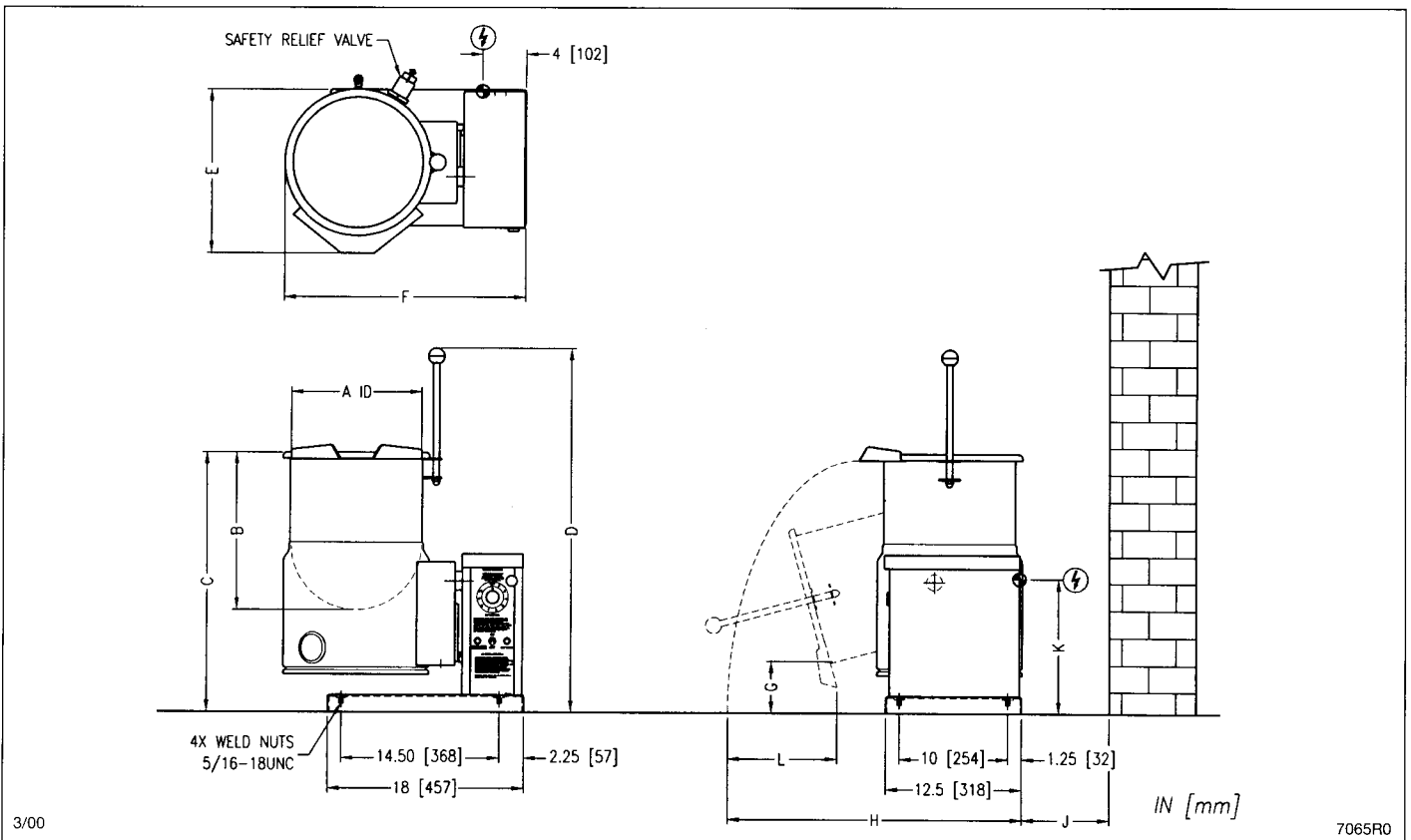
 - Electrical connection to be as specified on data plate

AMPS

MODEL	Phase	kW	208V	220V	240V	380V	415V	480V
			AMP	AMP	AMP	AMP	AMP	AMP
EC-6TW	1	7.5	36.0	34.1	31.3	-	-	-
	3	7.5	20.8	19.7	18.1	11.4	10.4	9.0
EC-10TW/12TW	1	12.0	57.6	54.5	50.0	-	-	-
	3	12.0	33.3	31.5	28.9	18.3	16.7	14.5

DIMENSIONS

MODEL	CAPACITY	UNITS	A	B	C	D	E	F	G	H	J	K	L
EC-6TW	6 gallons 23 liters	Inches	12	14.38	24	33.5	15.25	22.25	4.75	27	3.75	12.38	10
		mm	305	365	610	851	387	565	121	686	95	314	254
EC-10TW	10 gallons 38 liters	Inches	16 406	15	26	34.88	17.25 4.38	26.25 667	4.88	28	5.75 146	14.75 375	12.75
		mm		381	660	886			124	711			324
EC-10TW	12 gallons 45 liters	Inches	16 406	17	28	36.88	17.25 4.38	26.25 667	4.38	30	5.75 146	14.75 375	12.75
		mm		432	711	937			111	762			324



3/00

7065R0

As continued product improvement is a policy of Crown, specifications are subject to change without notice.